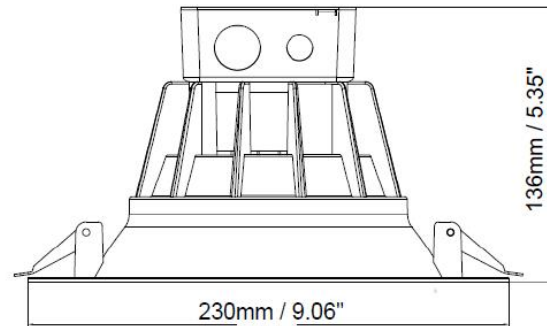


V5 Series LED Downlight

8" Round Downlight with Junction Box

CSA, cUL, cETL, or equal

Project Reference: _____ Fixture Type: _____ Cat. No.: _____ Voltage: _____ Options: _____



SPECIFICATIONS

- For dry and damp locations, IC rated
- 2700K, 3000K, 3500K, 4000K available
- CRI 80+ or 90+; high colour rendering provides better vision
- 1700-1950 lumens at 25W; 2000-2350 lumens at 30W; 2500-2700 lumens at 35W
- Dimmable at 120V; compatible with most Lutron and Leviton dimmers
- LM70 > 50,000 hours

ORDERING INFORMATION

V5

Product Code	Wattage	CRI	CCT (in Kelvin)	Voltage
V5	25W	80	2700 = 2700K	UNV = 110-277V 347 = 347V
	30W	90	3000 = 3000K	
	35W*	80	3500* = 3500K*	
	*120V only		4000 = 4000K	
			* Special Order	

Ex. V5-30W-80-3500-UNV

Notes: 347V option comes with step-down transformer inside the junction box.
 The 35W option is only available in 120V.